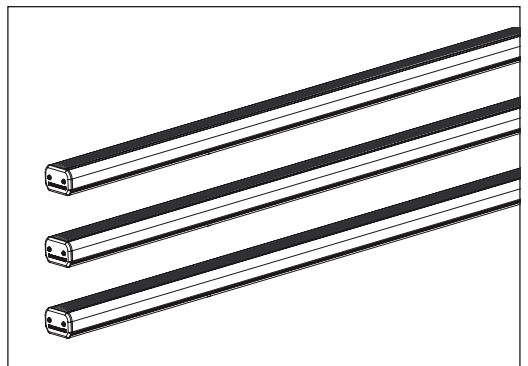
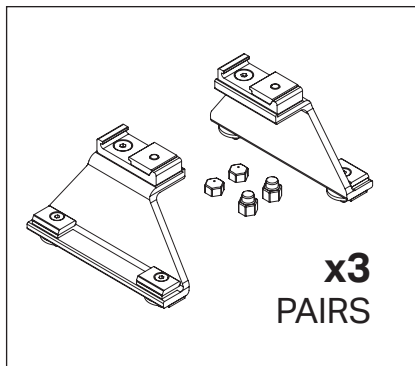



**SULC-008**

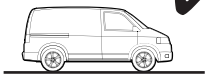

## Aluminium light commercial roof bars - set of 3


Make/Model	Date/Year	Make/Model	Date/Year
Fiat Talento L1 - H1	2016 ->	Nissan Primaster L2 - H1	2022 ->
Fiat Talento L2 - H1	2016 ->	Renault Trafic L1 - H1	2014 ->
Nissan NV300 L1 H1	2016 -> 2022	Renault Trafic L2 - H1	2014 ->
Nissan NV300 L2- H1	2016 -> 2022	Vauxhall Vivaro B L1- H1	2014 -> 2019
Nissan Primaster L1 -H1	2022 ->	Vauxhall Vivaro B L2 - H1	2014 -> 2019




# 1

Keep instructions for future reference	Clean the vehicle roof before fitting these roof bars	
--	---	--




Before installing park the vehicle on flat and level ground		
---	---	--

Please check your vehicle handbook, or consult the vehicle manufacturer, for the maximum roof weight load. e.g. Vehicle handbook maximum roof weight load is less than the load weight capacity of these roof bars, which is 120KG, the lower weight load must not be exceeded. Alternatively, if the vehicles maximum roof weight load is more than the load weight capacity of these roof bars, which is 120kg, the roof bar weight load capacity must not be exceeded.	
---	--

**Scan QR code with your smartphone for more information**

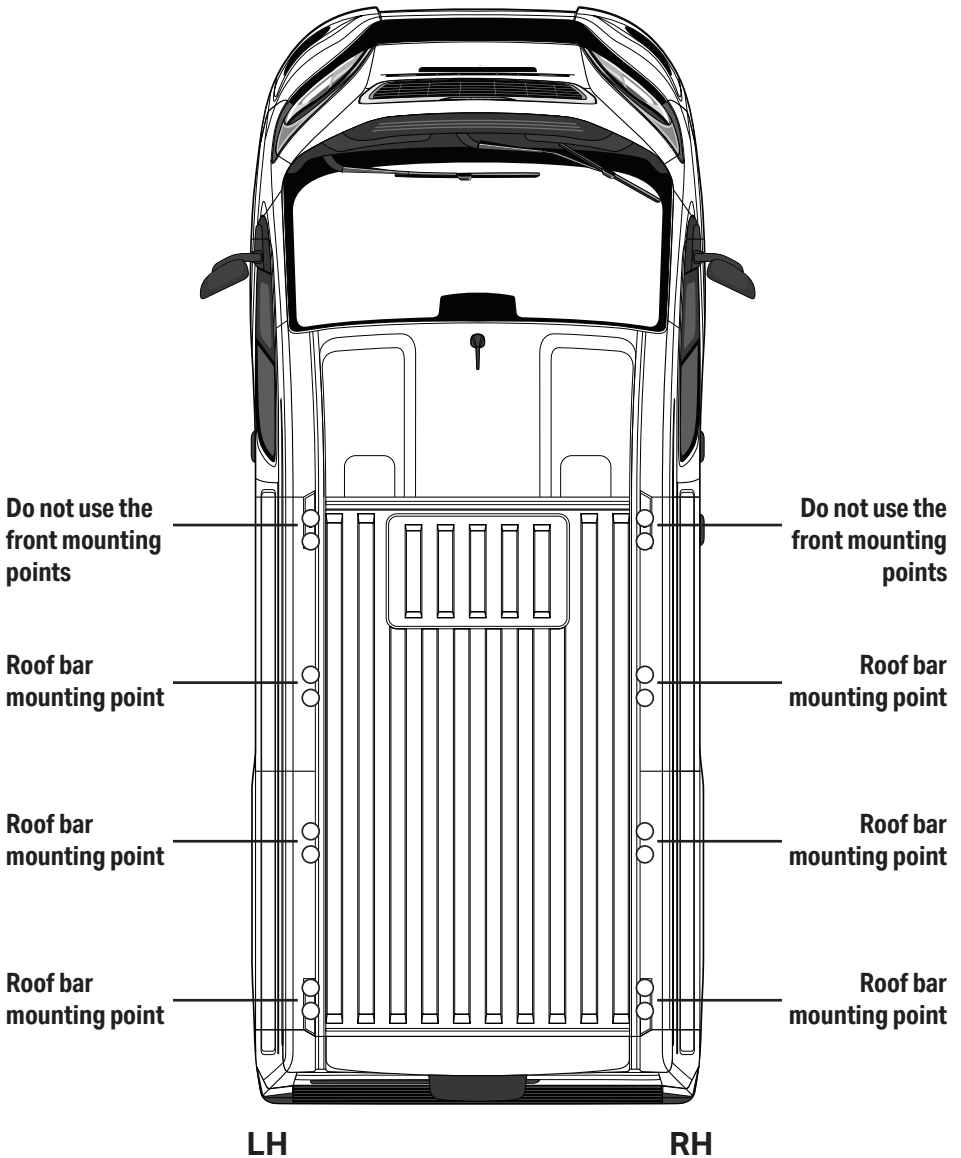


## Tools required

	 5mm	 13mm
---	--	---

# 2

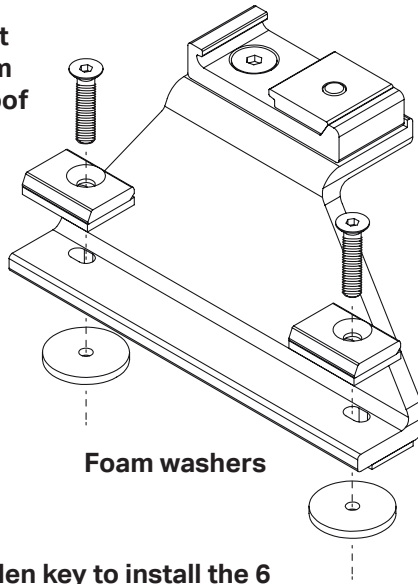
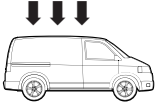
**IMPORTANT: You must ensure the mounting kits are fitted as per below**



**Use 5mm allen key to remove the mounting point covers**

# 3

Set up the bracket as per the diagram to attach to the roof

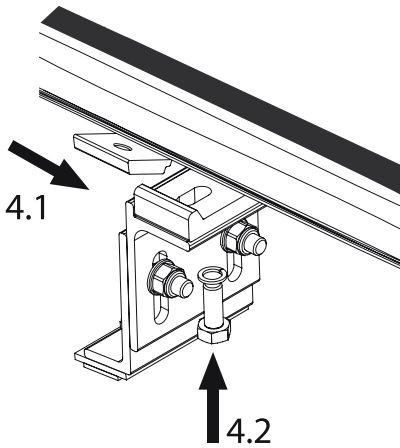


Foam washers

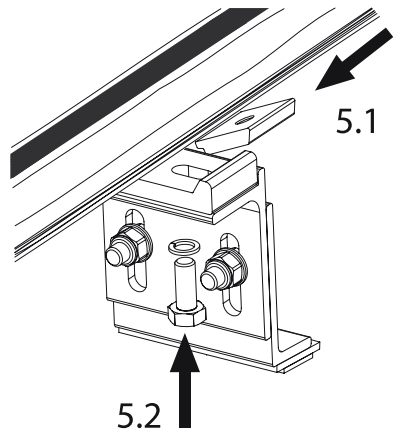


Use a 5mm Allen key to install the 6 brackets to the roof of the vehicle, to 10Nm.

# 4



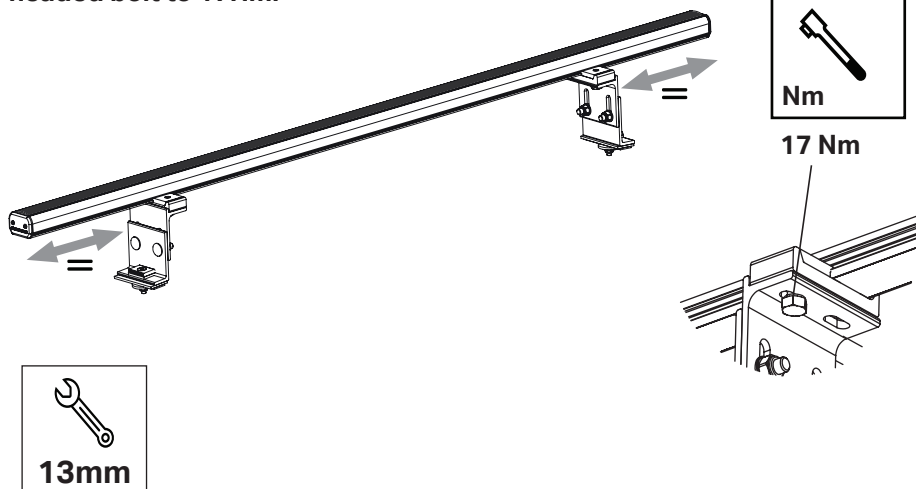
# 5



Place the bar onto the mounting brackets, insert the bar locator plate. Insert the 13mm headed bolt & washer from below, to hold in place.

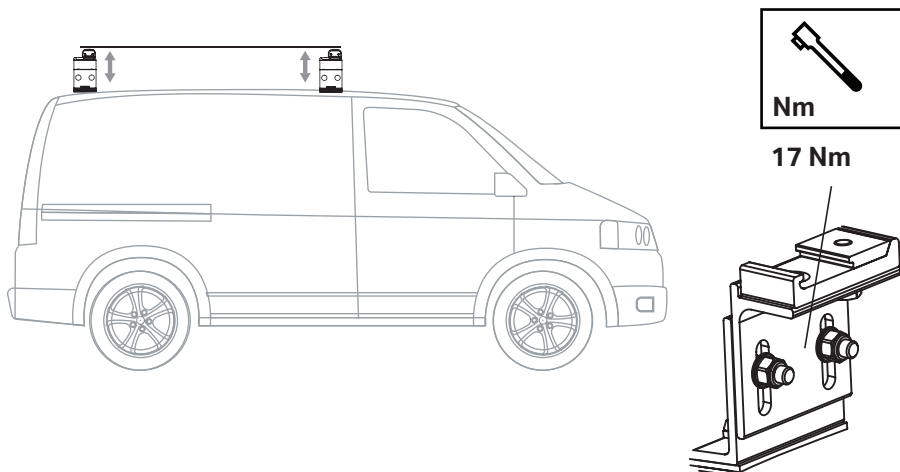
# 6

Make sure that the bar has equal amounts on either side of both mounting brackets. Tighten the 13mm headed bolt to 17Nm.



# 7

Once fully tightened, fit the supplied covers to the nut & bolt heads.



# AVAILABLE ACCESSORY

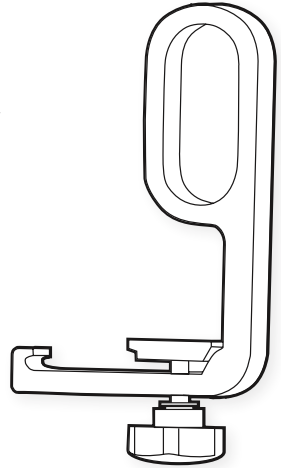
## LOADSTOPS SULC-LS1 - Pair

Designed to keep your load secure and stable during transit, these load stops provide added peace of mind for all your transportation needs.

Easy to install and adjust, they are the perfect accessory to ensure your cargo stays in place.

Contact us for details on where you can buy your load stops today!

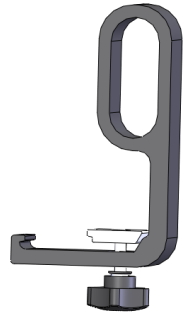
Scan QR code with your smartphone for more information



---

# 1

Loosen the knob



---

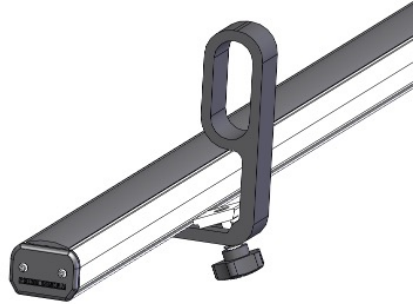
# 2

Position onto the bar



# 3

Put the clamp in place as shown



---

# 4

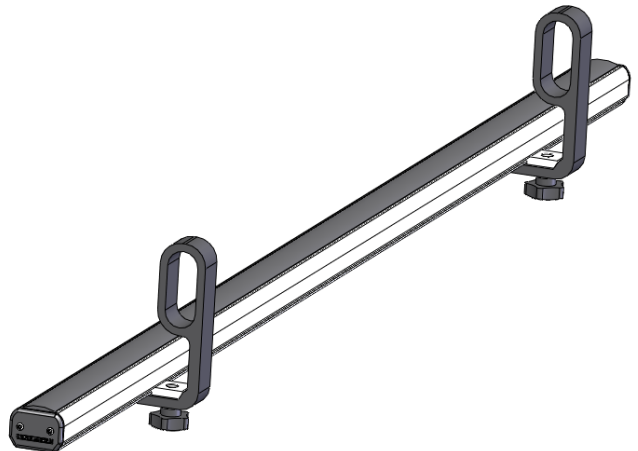
Fix the knob to hold the loadstop in place



---

# 5

Finished product



## **NOTICE:**

- Mountney Ltd and/or its distributors, accept no liability for this product: where it has not been fitted in accordance with these fitting instructions, where it has not been fitted to the listed vehicles, or where the weight load has not been respected.
- Mountney Ltd accepts no liability for any damage to, or loss of property as a result of using these roof bars incorrectly, or by not following the vehicle manufacturers recommendation.

## **IMPORTANT SAFETY NOTES:**

### **General**

- Please retain these instructions for future reference.
- No modification to this product is permitted. Any modifications will invalidate your warranty.
- Fit these roof bars in accordance with these instructions only.
- Please check that you have all components listed in the instructions. Only supplied components should be used to fit this product to your vehicle.
- Do not assemble or use this product unless you have understood the fitting instructions.
- Clean the roof of the vehicle and the components of the product which are in direct contact with the roof, before assembly.

### **Maintenance**

- These roof bars must be kept clean and properly maintained, particularly during the winter months when dirt and salt must be removed. Bolts, screws and nuts should be lubricated at regular intervals.
- Check all fastenings are tightened on a regular basis. Especially after loading and unloading items on the roof. If there are any lost or damaged components, please contact your distributor to purchase.

### **Loading**

- You must refer to the vehicle handbook, or the vehicle manufacturer, to confirm the maximum permissible roof weight load. **DO NOT EXCEED THIS WEIGHT LIMIT.** i.e. If the vehicles maximum roof weight load is less than the load weight capacity of these roof bars, which is 120KG, the lower weight load must not be exceeded. Alternatively, if the vehicles maximum roof weight load is more than the load weight capacity of these roof bars, which is 120kg, the roof bar weight load capacity must not be exceeded.
- When assembling & loading these roof bars, it is recommended to be in a safe zone, away from other traffic and pedestrians.
- It is your responsibility to ensure that all loads are correctly, and safely, secured using suitable fixing methods.
- Do not use bungee cords or elasticated straps to secure your load.
- No part of the roof bars, load or accessories shall project beyond the profile of the vehicle.

### **Driving**

- Do not drive through an automatic car wash with these roof bars on your vehicle.
- When driving with the roof bars, with or without a load, the increased height of the vehicle must be considered. Failure to do so may result in a collision and may lead to damage or injury.
- When carrying large, flat objects they must be secured independently to the front & the rear of the vehicle, this is due to the strong aerodynamic forces which will be produced.
- Driving must be adjusted when carrying a roof load. The additional weight and height can affect the vehicles steering and braking.

Made in the EU

Mountney Ltd, MXL Centre, Lombard Way, Banbury, Oxfordshire, OX16 4TJ.

Visit us at: [www.mountneyltd.com](http://www.mountneyltd.com) [info@mountneyltd.com](mailto:info@mountneyltd.com)

Represented by: Authorised Rep Compliance Ltd, Ground Floor, 71 Lower Baggot Street, Dublin, D02 P593, Ireland