

SUMMIT

ALUMINIUM RAISED RAILING BARS

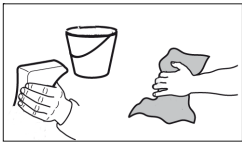
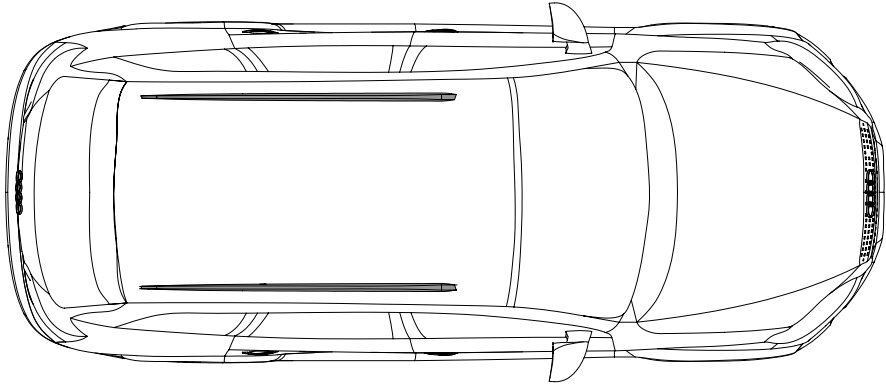
SUM-002/003



IMPORTANT
READ FULLY BEFORE FITMENT AND
KEEP INSTRUCTIONS FOR FUTURE REFERENCE

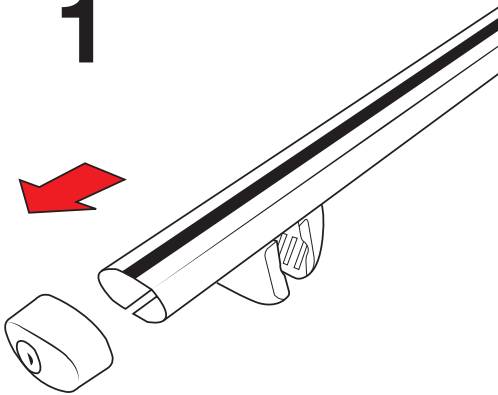


We do not recommend the use of roof top tents
or awnings with these roof bars

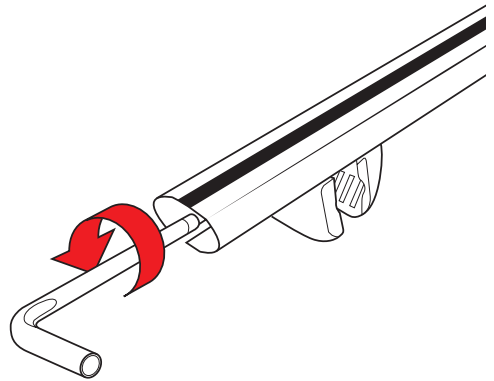


Clean the running rails & your vehicle roof before fitting the roof bars

1



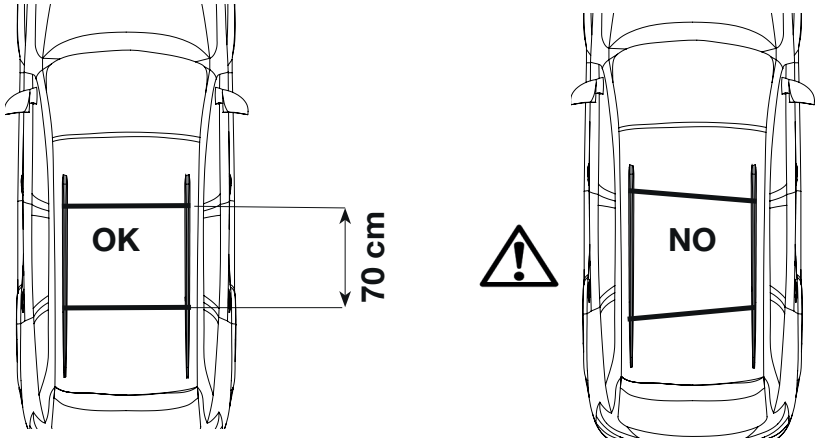
Unlock and carefully remove all four end caps from the roof bars.



Using the Allen key provided, fully open the clamp mechanism inside the roof bars, this mechanism tightens the foot clamp onto the bar & also onto the roof bars themselves.

2a

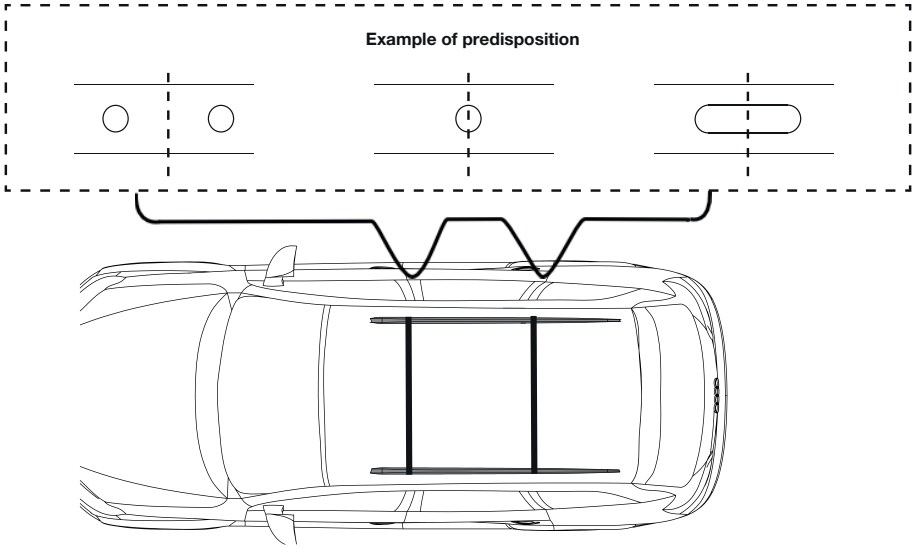
Vehicles without fix point



Ensure bars are a minimum of 70cm apart

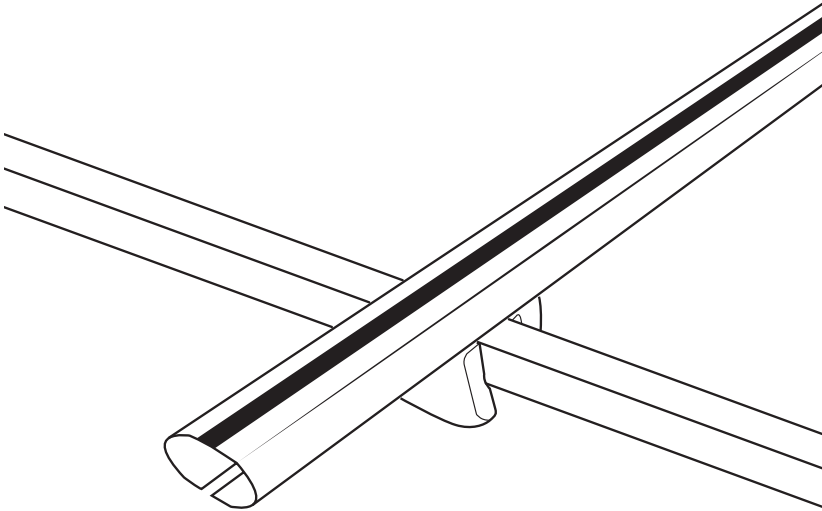
2b

Vehicles with fix point



If the vehicle is equipped with original fix points, place the bars in the middle of them

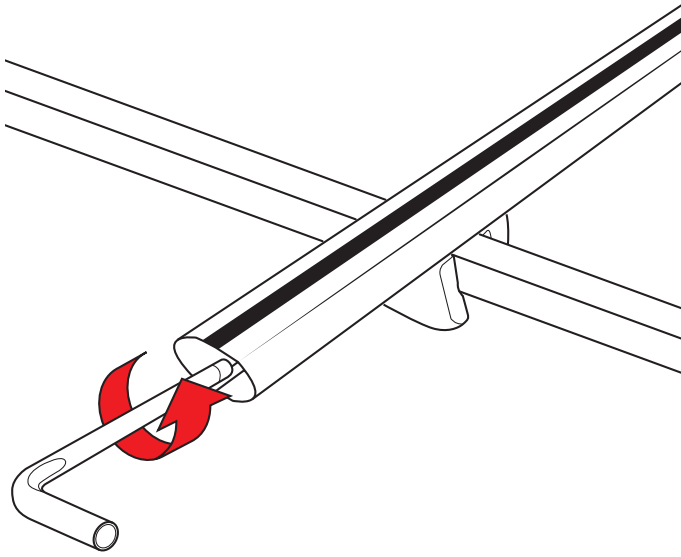
3



Place the roof bars onto the vehicles original rails, ensuring the positional guidance in step 2 is followed.

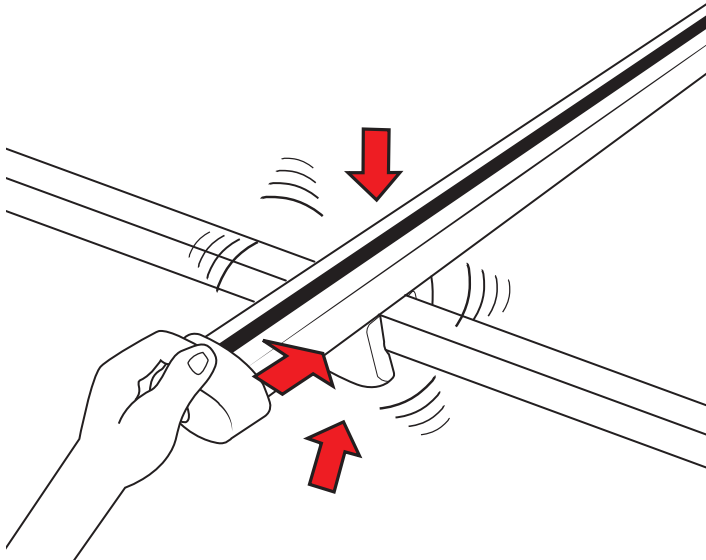
Centralise the roof bars on the vehicle and if needed slide the foot clamps along the bars to ensure they are positioned correctly and there is an equal length of bar on each side of the feet.

4



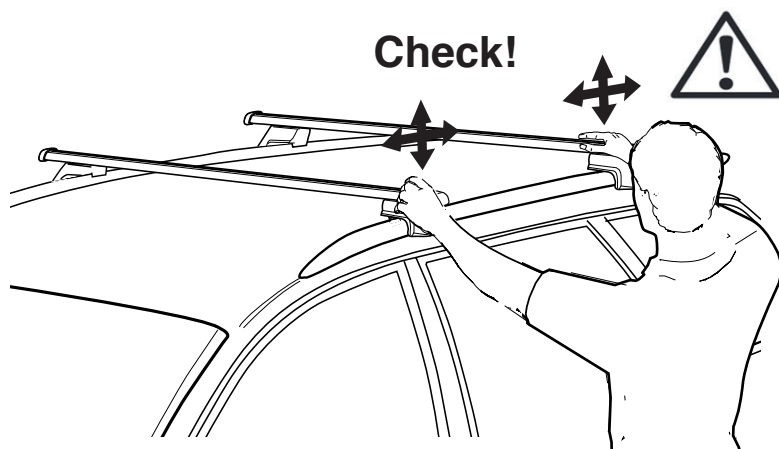
Using the Allen key, tighten the foot clamps alternately onto each side of the roof bar.

5

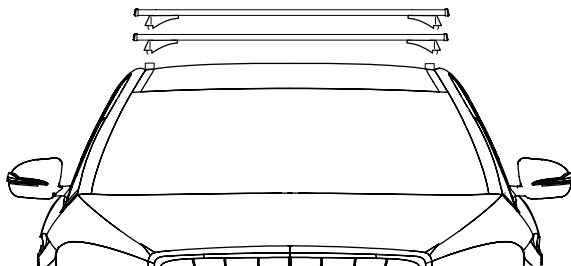


Once you have tightened each foot, replace the end caps and lock them into place.

6



7



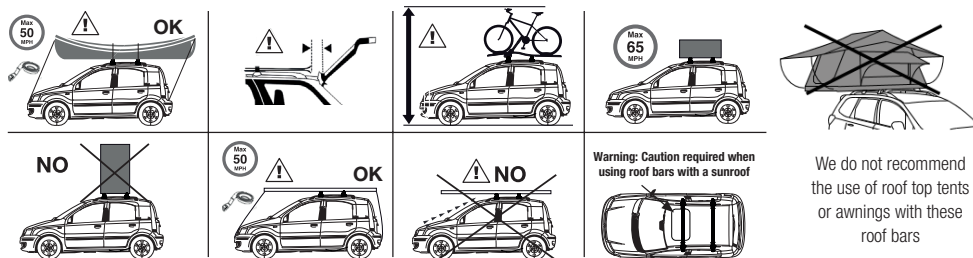
Installation Notes:

- Fit the roof bars according to the instructions only. Do not assemble or use this product unless you have understood the fitting instructions. If you have any questions, please contact your local store for further information. Check with the instruction manual that all the necessary parts are included.
- Check and make sure that all fastening parts are fixed securely. Please check also that the load is fastened properly by pushing and pulling it. Recheck regularly.
- Please note that some antennas and sunroofs can interfere with the roof bars or accessory when installed and should not be used, if so.
- Follow the instructions thoroughly and do not jump ahead in the sequence (1,2,3, A,B,C... etc).

Important Safety Notes:

- Please retain the Hex key provided and these instructions safely with your car owners manual, for future reference.
- The maximum permissible load evenly distributed over the full width of the bar with a low centre of gravity is 75kg (including the weight of the bars, 4kg). Check the vehicle handbook for fixing location for the roof bar and the maximum permitted load. The maximum permitted roof load must be the lowest quoted figure. And if the vehicle hand book states a maximum of less than 75kg, then that is the maximum permissible load. Even if the vehicle handbook states a maximum of 120kg, the maximum permissible load for these roofbars is 75kg.
- It is your responsibility to ensure that all loads are correctly and safely secured using suitable fixing methods (e.g. strong webbing straps with buckles). Where specialised accessories are available, they should be used (e.g. Cycle Carriers, Ski Holders, etc). If small heavy loads are being carried, load to one side of the bar, not the middle. Never attach loads to roof bars using bungee cords or elasticated straps.
- Before driving and at 10 miles and then every 100 miles, check that all securing screws, clamping devices and foot attachments are fully tightened, in accordance with these instructions. Additionally ensure that the load is fastened correctly.
- To prevent damage or discolouration to the paint under the foot pack rubber, we recommend the cleaning of the load bar feet and the vehicle roof prior to fitment. The load bar should be removed at regular intervals to repeat this process.
- When fitted, the roof bars will affect your fuel economy, therefore please remove when not in use.
- Neither the roof bars nor load must project beyond the maximum profile of the vehicle.
- Take care not to drive into low places such as garages or multi-storey carparks when carrying a high load, particularly cycles.
- Do not drive through an automatic car wash with the load carrier mounted on the vehicle
- Using the bars, especially when carrying a load, will affect the driving and braking characteristics of your car. Larger roof loads may also affect your car's sensitivity to cross winds. For safety reasons, the vehicle must not be driven at maximum speeds. Speed should be matched to the load being transported, to prevailing conditions including the state of the road, the quality of the road surface, the volume of traffic, etc., and of course any speed restrictions in force. Where there are no restrictions in force, we recommend a maximum speed of 65 mph, but the vehicle speed when transporting a load of any kind must be matched to the prevailing conditions.
- Surfboards, boats and large flat objects may produce damaging aerodynamic forces to the vehicle, out of all proportion to their dead weight. We therefore recommend travelling at much reduced speed when carrying these articles. **Where two or more surfboards are carried (or similar items which may produce lifting forces) they should not be carried side by side, but should be stacked one upon the other. They should be secured independently to the front and rear of the vehicle using strap or methods which are capable of withstanding the lifting forces.**
- **When carrying kayaks or canoes ensure that they are secured to the bars and also the front and rear of the vehicle in the upright position.**
- We do not recommend the use of roof top tents or awnings with these roof bars
- The roof bars must be kept clean and properly maintained, particularly during the winter months when dirt and salt must be removed. Bolts, screws and nuts should be lubricated at suitable intervals, the periodic use of a spray lubricant will keep any lock barrels working freely.
- Always fit the roof bars in accordance with these instructions. The spacing between the front and rear bars must never be less than 700 mm, except where the vehicle mountings determine the spacing.

IMPORTANT: This load carrier is especially designed for your car model. Please therefore check with your retailer which type of load carrier is needed when changing your car. Do not use spare parts from other products without checking with your retailer. Do not put the car through an automatic car wash when the load carrier is mounted. The manufacturer takes no responsibility for damage caused by an incorrectly fitted load carrier.



We do not recommend the use of roof top tents or awnings with these roof bars